

INDUSTRIAL ROUNDER



PROMAC industrial rounder the second in line of the Bread MAC – Auto Plant is made fully of stainless steel frame and covers. Cast iron Teflon coated cone with top bearing, aluminum tracks with both sides Teflon coated. Cast aluminum crumb collection tray Teflon coated. Variable speed control. No flour necessary to avoid sticking of dough. Automatic flour duster. Stainless steel swivel casters with mounting pins. Easy in operation and cleaning. Perfect separation between dough pieces coming from the divider. Perfect transfer of dough pieces with outfeed chute.

- Suitable for many common dough assortments such as wheat, rye, wheat/rye ex.
- Perfect round molding
- Minimum of dough crumbs

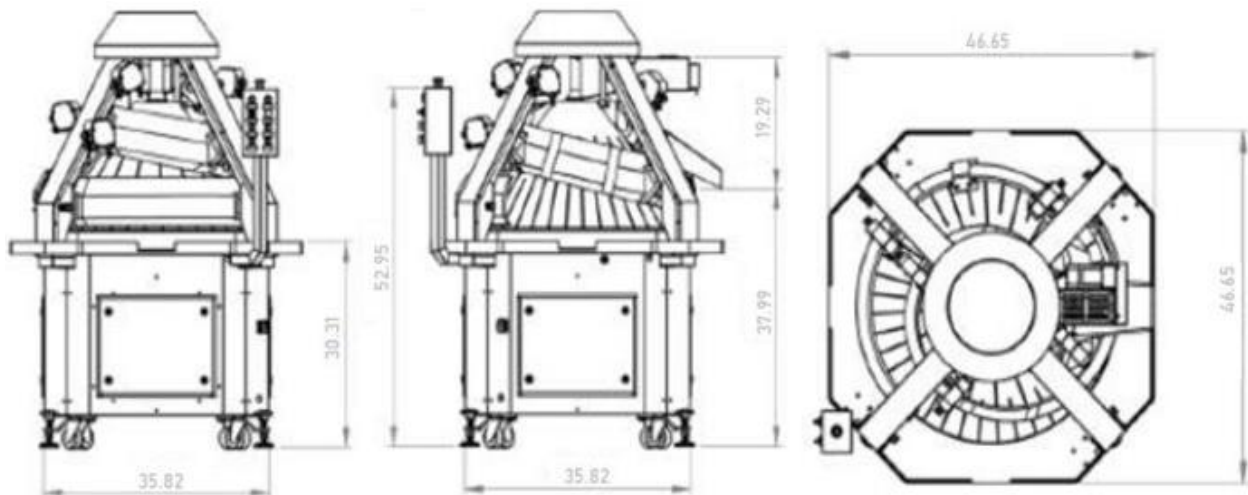


CONTROL PANEL

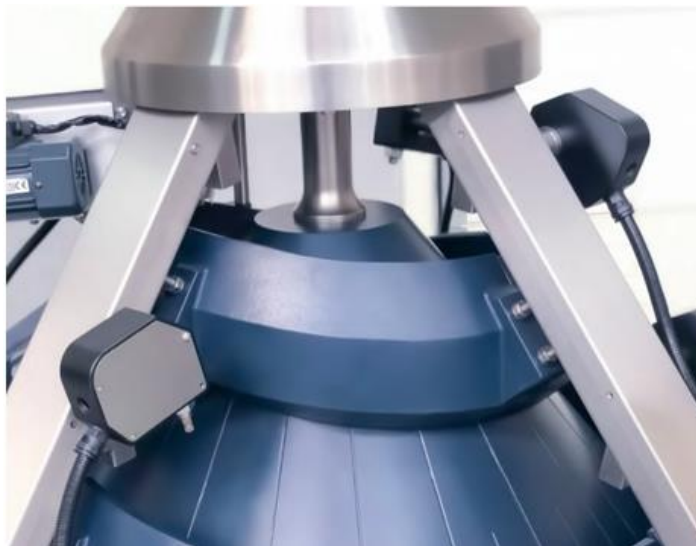
- Start / Stop
- Speed controllers
- Oil spray control
- Blower control

OPTIONS CHART

- ✓ Oil spraying nozzles on cone (5 nozzles)
- ✓ Air blower with heating
- ✓ Dough discharge conveyor instead of chute



Description		PM-CR END
Control unit		Electro mechanic
Capacity		3000 pcs/h
Weight range		3-32 oz.
Width	A	46.65"
Length	B	46.65"
Height	H	57.28"
Voltage		220VAC/60Hz + N + PE
Electrical power		3 amps
Weight		1322 lb



PROMAC Bakery Equipment
 170 Wilbur Place, Suite 300, Bohemia NY 11716
 Direct Phone & Service: (516) 286-3609
 Website: www.promacbakeryequipment.com
 Mail: info@promacbakeryequipment.com